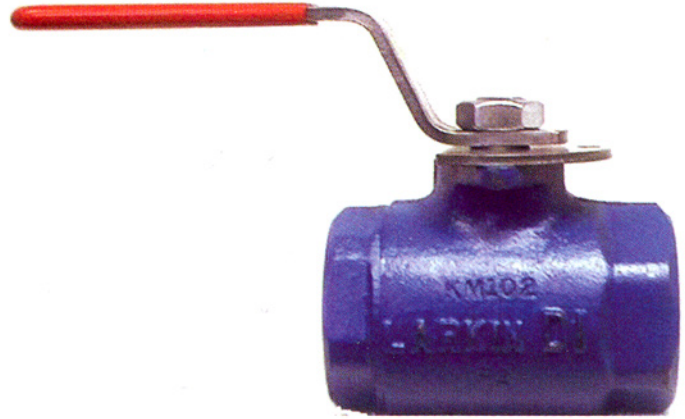
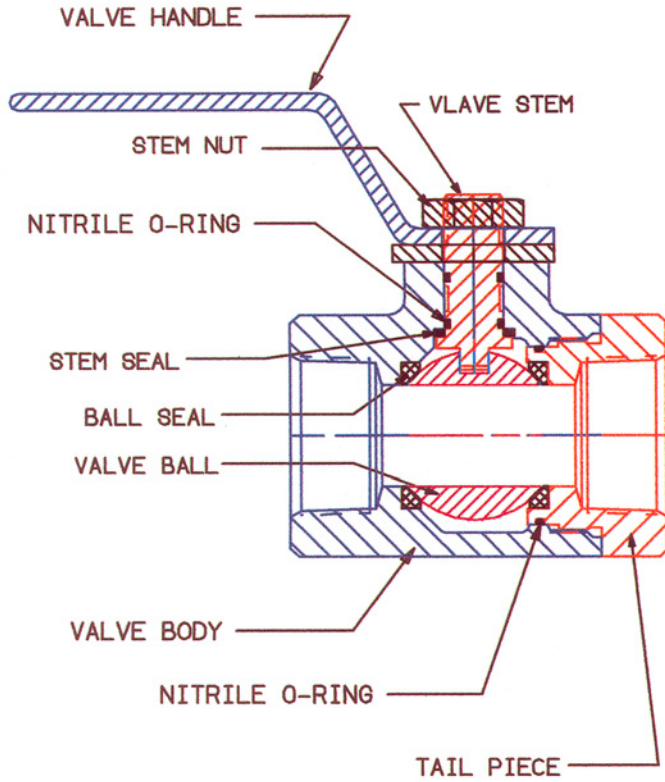




# LARKIN BALL VALVE

750 THRU 5000 PSI WORKING PRESSURE



LARKIN BALL VALVES						
PART #	LINE CONNECTION	WOG	MATERIAL	WEIGHT	OAL	
KVF1BV1000	1" 11 1/2 V LINE PIPE	1000 # W.P.	DUCTILE IRON	3 lbs.	4 1/8"	
KVF1BV1500	1" 11 1/2 V LINE PIPE	1500 # W.P.	DUCTILE IRON	3 lbs.	4 1/8"	
KVF25BV25000	2 7/8" EUE 8 RD. TBG.	2500 # W.P.	DUCTILE IRON	12 lbs.	5 1/2"	
KVF2BV750	2" 11 1/2 V LINE PIPE	750 # W.P.	DUCTILE IRON	12 lbs.	6 1/2"	
KVF2BV1500	2" 11 1/2 V LINE PIPE	1500 # W.P.	DUCTILE IRON	12 lbs.	6 1/2"	
KVF2BV2000	2" 11 1/2 V LINE PIPE	2000 # W.P.	DUCTILE IRON	12 lbs.	6 1/2"	
KVF2BV3000	2" 11 1/2 V LINE PIPE	3000 # W.P.	FORGED STEEL	14 lbs.	6 1/2"	
KVF2BV5000	2" 11 1/2 V LINE PIPE	5000 # W.P.	FORGED STEEL	14 lbs.	6 1/2"	