

2" BPR® Back Pressure Regulator (NEW STYLE)

772 2-T



The Baird 772 BPR Back Pressure Regulator was designed for normal or heavy duty service in any application where an upstream fluid pressure must be maintained in an active flowing system. Applications have included: (1) Paraffin and/or Gas Lock where a steady pressure can be maintained on the column of oil within the tubing, thus allowing the gas bubbles to be pumped out of the string before they rupture from the lack of external pressure; (2) Heading Up for wells that have a tendency to head up and flow, a constant pressure maintained on the oil column will assure a full string at all times.

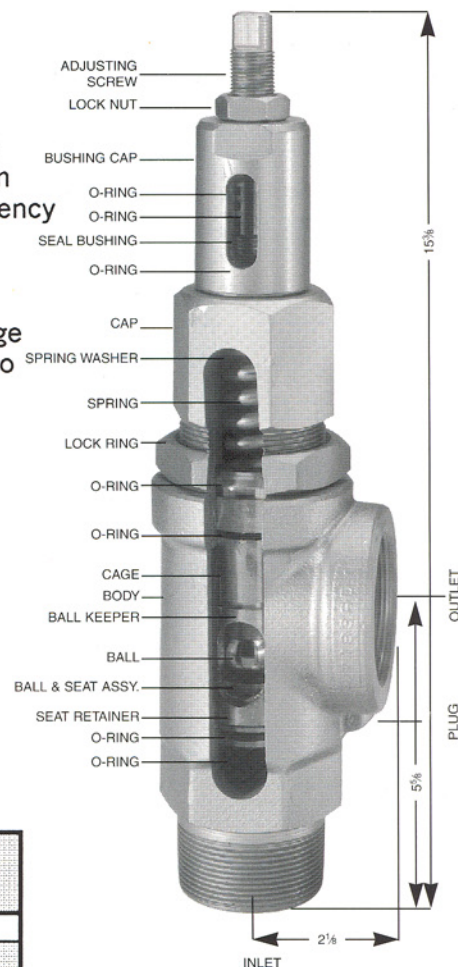
Chemical and Industrial applications range from use as a brine discharge valve in reverse osmosis systems to an Inline Back Pressure Regulator to eliminate pump starvation in a fluid pumping system.

INLET: 2" Male NPT

OUTLET: 2" Female NPT

TEMPERATURE RANGE: -65° F to +300° F

The Baird 772 BPR is offered in four material combinations and five pressure ranges to accommodate from normal to severe corrosive environments with 5-2500# PSI Set Pressures. Available in Single Outlet (T) or Dual Outlet (C) for Back Pressure Regulator multiple hook-ups.



DUCTILE IRON PART NUMBER	WORKING PRESSURE RANGE	SEAT ORIFICE DIAMETER
772 2-T-2-P	5-200#	7/8"
772 2-T-5-P	10-500#	7/8"
772 2-T-9-P	25-900#	7/8"
772 2-T-15-P	200-1500#	1 1/16"
772 2-T-25-P	1500-2500#	1 1/16"

MATERIAL SPECIFICATIONS:

- **Standard valve** is Ductile Iron with Stainless Ball & Seat for normal conditions.
- Add **"SH"** to part number for Ductile Iron with Sheralloy® (Cobalt Base Alloy) Ball & Seat for improved life under normal conditions. Chrome silicone spring.
- Add **"AB"** to part number for Aluminum-Bronze with Stainless trim and Sheralloy® (Cobalt Base Alloy) Ball & Seat for optimum corrosion or salt water environments.
- Add **"316"** to part number for 316 Stainless Steel with Sheralloy® (Cobalt Base Alloy) Ball & Seat for optimum corrosion resistance.

NOTE: Sheralloy® is a Cobalt Base Alloy - Non-Corrosive Non-Magnetic - 59 Rockwell/C Hardness.

Fully adjustable and field repairable. To order repair kit, add kit number to part number.

For example: 772-2-T-2-P-K2

REPAIR KITS:

- K1** Includes all O-rings.
- K2** Includes all O-rings and Ball & Seat.
- K3** Includes all O-rings, Ball & Seat, Spring, Ball Keeper and Spring Washer.
- K4** Includes all O-rings, Ball & Seat, Spring, Ball Keeper, Seat Retainer, Cage and Spring Washer.

NOTE: When converting to or from a 772-2-T-25-P, the K4 is required.

(If a pressure range change is desired, order the K3 Kit)