

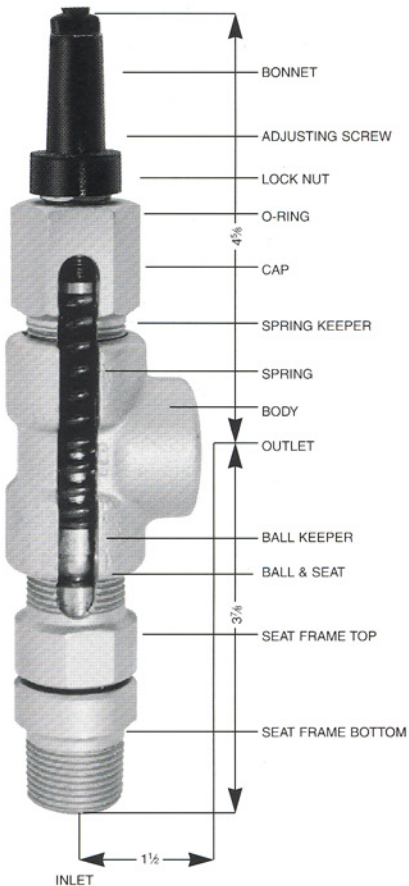


# 1" PRESSURE RELIEF VALVE

BPR. Back Pressure Regulator

## 715 7150

Medium Pressure ---- Pressure Control ---- Medium Volume



Designed as an inexpensive 1" steel pressure control valve. **May be used as a relief or back pressure valve.** This valve was patterned from our 7100 1" gas valve, but the ball and seat are more durable for more severe liquid service. May also be used for gas.

**BODY:** 1" Carbon Steel or 316SS

**BALL & SEAT:** Sheralloy® Assembly (Cobalt Base Alloy) or Stainless

**SPRING:** Coil

**INLET:** 1" Male NPT, 3/4" Male NPT, 1" Female NPT, 1/2" Female NPT or 1" Male - 1/2" Female NPT

**OUTLET:** 1" Female NPT

**MANUAL RELEASE LEVER ALSO AVAILABLE ON REQUEST**

CARBON STEEL PART NUMBER	WORKING PRESSURE RANGE	COIL SPRING DIAMETER	SEAT ORIFICE DIAMETER
715 7150-100	10-100#	.091 Dia. Wire	1/2"
715 7150-300	100-300#	125 Dia. Wire	1/2"
715 7150-550	300-550#	.162 Dia. Wire	1/2"
715 7150-1000	550-1000#	.187 Dia. Wire	1/2"
715 7150-HP-225	10-225#	.091 Dia. Wire	3/8"
715 7150-HP-600	225-600#	125 Dia. Wire	3/8"
715 7150-HP-1100	600-1100#	.162 Dia. Wire	3/8"
715 7150-HP-2000	1100-2000#	.187 Dia. Wire	3/8"

**MATERIAL SPECIFICATIONS:**

- Standard valve is Carbon Steel valve.
- Add "316" to part number for 316 Stainless Steel valve.