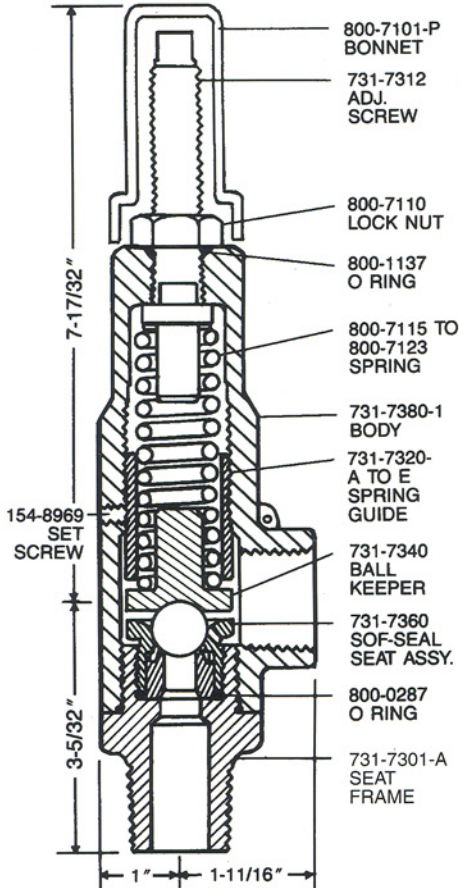




# 1" GAS SAFETY VALVE

## 731-1-GS

PRESSURE: 15-2500 # • VOLUME: TO 2662 CFM  
(NON-CODE BELOW 25 #)



**INLETS AVAILABLE:** Male NPT 1"  
Female NPT 1", 3/4", 1/2"

**OUTLET:** Female NPT 1"

**TEMPERATURE RANGE:** -30° to +220° F

**BODY:** (SPECIFY)  
DUCTILE IRON — Standard  
316 STAINLESS — Add "316" to Model #

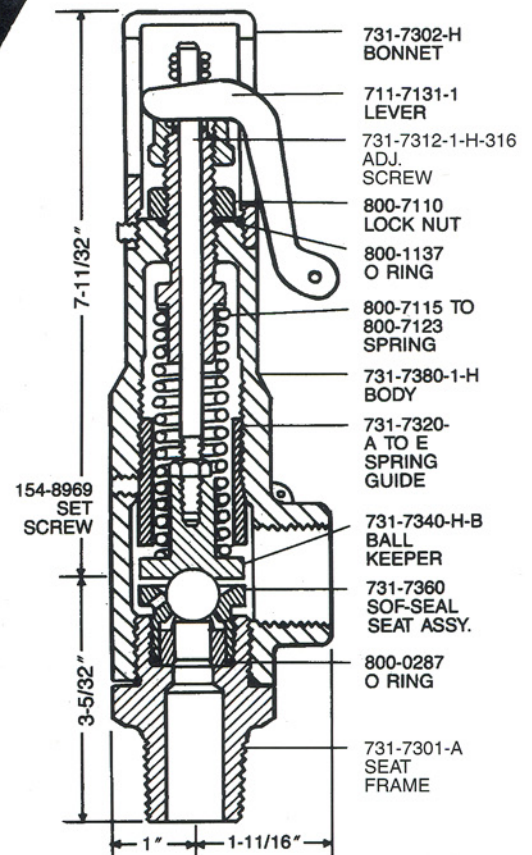
**TRIM:** Stainless with 440 Stainless Ball  
Stainless with Sheralloy Ball for 316 Stainless Valve

**MANUAL RELEASE LEVER:** Optional — Add "H" to Model #



VALVE FEATURES OUR SOF-SEAL™ PATENTED SEAT ASSEMBLY USING A METAL-TO-METAL DOUBLE SEAL SEAT WITH AN ELASTOMETER SEAL. (THIS IS NOT AN O-RING SEAL.)

FIELD REPAIRS ARE EASILY MADE ON-SITE, REQUIRING NO SPECIAL TOOLS OR EQUIPMENT



**APPLICATION:** Recommended for overpressure protection where buildup and blowdown must be held to a minimum. Designed to meet all requirements for protection of gathering lines, transmission systems, meter runs, gas manifolds, separators and refinery service.

**ASME-UV:** 1/2" ORIFICE = .196 SQ. IN., -90% SLOPE = .963

VALVE PART NUMBER	WORKING PRESSURE RANGE	CFM OF AIR AT MAXIMUM SETTING + 10%
731-1-GS-D-50	15 - 50#	50# = 67 CFM
731-1-GS-D-225	50 - 225#	225# = 252 CFM
731-1-GS-D-600	225 - 600#	600# = 650 CFM
731-1-GS-D-1000	600 - 1000#	1000# = 1073 CFM
731-1-GS-D-2000	1000 - 2000#	2000# = 2133 CFM
731-1-GS-D-2500	2000 - 2500#	2500# = 2662 CFM