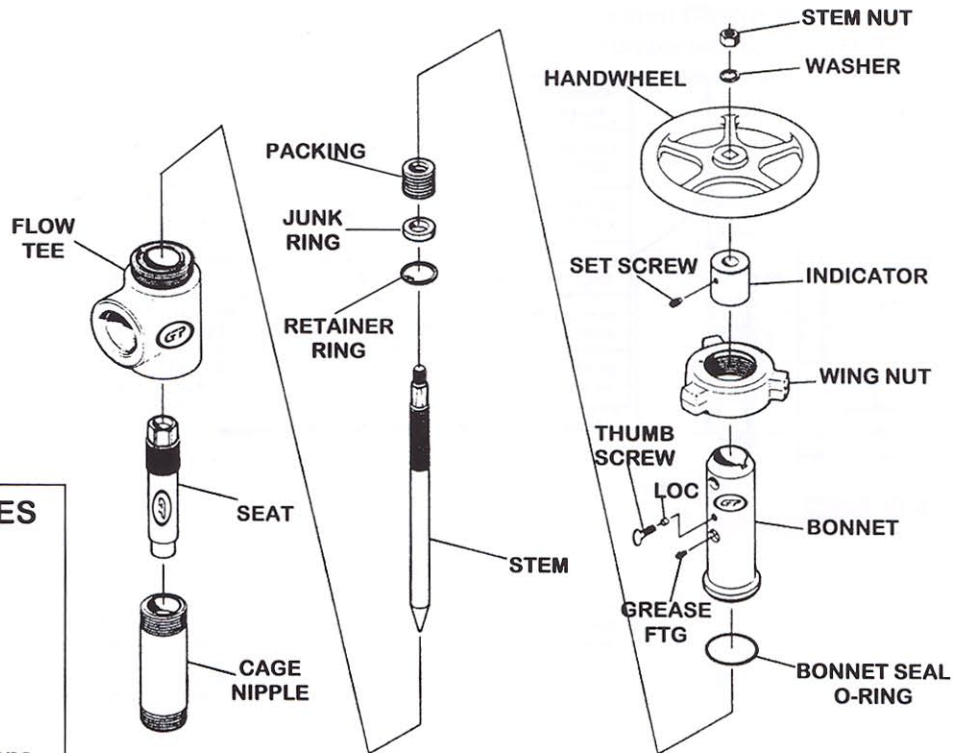




TYPICAL PARTS ORDERING INFORMATION

ADJUSTABLE CHOKES



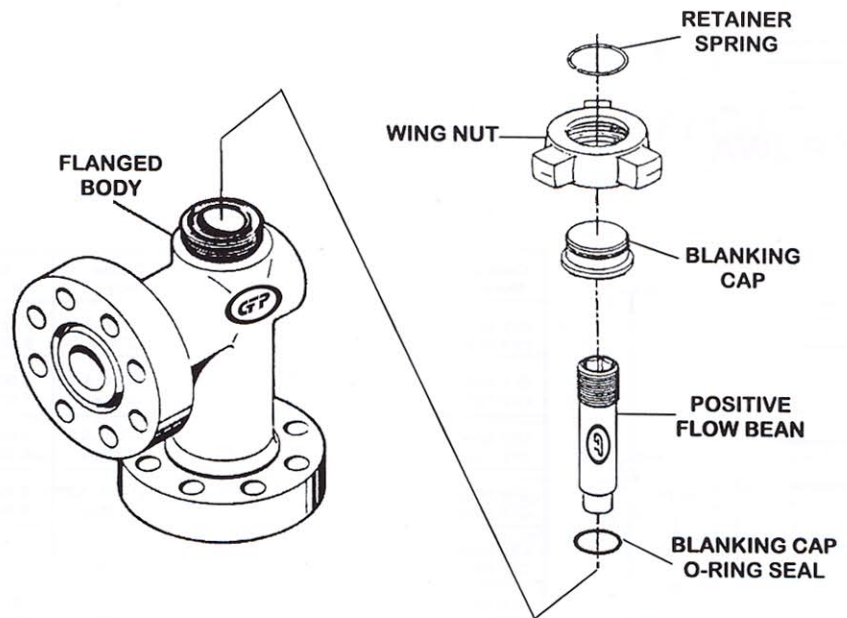
Typical Threaded Adjustable Choke

TIPS TO ORDER CHOKES

1. Type of Choke - "Positive or Adjustable"
2. Specify Working Pressure.
3. Type of Inlet & Outlet Connections, Size and Pressure Rating.
4. Specify Trim Size (Orifice Required)
5. Trim Material - "Alloy Steel, Stainless Steel, Stainless Steel / Tungsten Carbide"
6. Specify Heater Choke if applicable.

Positive Choke assemblies are furnished *less* Flow Bean.

POSITIVE CHOKES



Typical Flanged End Positive Choke