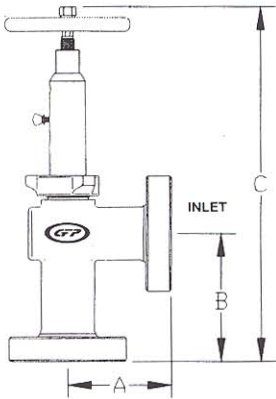




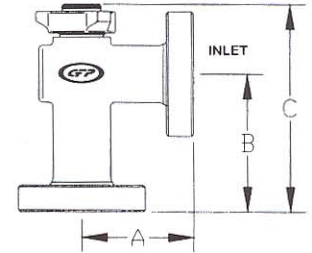
The following Flange Chokes are available in Alloy or Stainless Steel



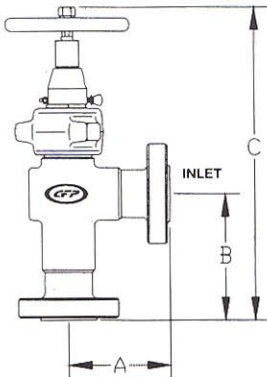
CFP N62

Cactus Model	Flange Size Inlet & Outlet	Working Pressure	Orifice Size	Dimensions		
				A	B	C
CFP N62 CFP T1	2-1/16" 2m 2-1/16" 2m	2,000 2,000	3/4" & 1" 1" Max	7.50" 7.50"	9.38" 9.38"	24.38" 14.50"
CFP N62 CFP T1	2-1/16" 5m 2-1/16" 5m	5,000 5,000	3/4" & 1" 1" Max	7.50" 7.50"	9.38" 9.38"	24.38" 13.88"
CFP N62 CFP T1	150 ANSI RF 150 ANSI RF	275 275	3/4" & 1" 1" Max	7.50" 7.50"	9.38" 9.38"	24.38" 14.13"
CFP N62 CFP T1	300 ANSI RF 300 ANSI RF	720 720	3/4" & 1" 1" Max	7.50" 7.50"	9.38" 9.38"	24.38" 14.13"
CFP N62 CFP T1	600 ANSI RF 600 ANSI RF	1,440 1,440	3/4" & 1" 1" Max	7.50" 7.50"	9.38" 9.38"	24.38" 14.13"

ANSI R.T.J. available on request

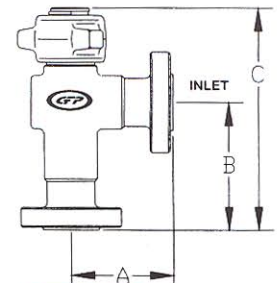


CFP T1

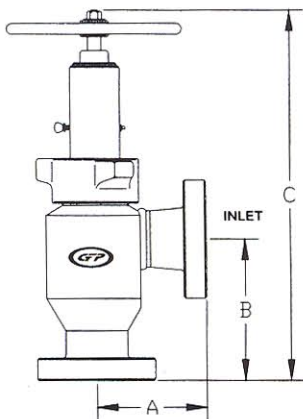


CFP JWA

Cactus Model	Flange Size Inlet & Outlet	Working Pressure	Orifice Size	Dimensions		
				A	B	C
CFP JWA CFP PC	2-1/16" 5m 2-1/16" 5m	5,000 5,000	3/4" & 1" 1" Max	7.50" 7.50"	9.38" 9.38"	20.81" 14.13"
CFP JWA CFP PC	1-13/16" 10m 1-13/16" 10m	10,000 10,000	3/4" & 1" 1" Max	7.50" 7.50"	9.19" 9.19"	21.06" 14.13"
CFP JWA CFP PC	2-1/16" 10m 2-1/16" 10m	10,000 10,000	3/4" & 1" 1" Max	7.50" 7.50"	9.38" 9.38"	21.38" 16.31"
CFP JWA CFP PC	1-13/16" 15m 1-13/16" 15m	15,000 15,000	3/4" & 1" 1" Max	7.38" 7.38"	10.13" 10.13"	26.06" 18.88"
CFP JWA CFP PC	2-1/16" 15m 2-1/16" 15m	15,000 15,000	3/4" & 1" 1" Max	7.38" 7.38"	10.13" 10.13"	26.06" 18.88"



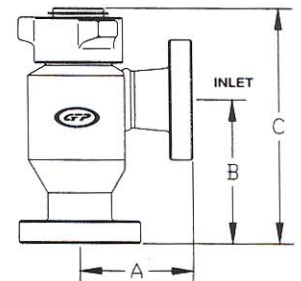
CFP PC



CFP H2A

Cactus Model	Flange Size Inlet & Outlet	Working Pressure	Orifice Size	Dimensions		
				A	B	C
CFP H2A CFP H2P	3-1/8" 3m 3-1/8" 3m	3,000 3,000	1", 1-3/4" & 2" 2" Max	8.88" 8.88"	11.38" 11.38"	30.00" 18.50"
CFP H2A CFP H2P	2-1/16" 5m 2-1/16" 5m	5,000 5,000	1", 1-3/4" & 2" 2" Max	7.50" 7.50"	9.38" 9.38"	30.00" 18.50"
CFP H2A CFP H2P	2-9/16" 5m 2-9/16" 5m	5,000 5,000	1", 1-3/4" & 2" 2" Max	8.88" 8.88"	11.38" 11.38"	30.00" 18.50"
CFP H2A CFP H2P	3-1/8" 5m 3-1/8" 5m	5,000 5,000	1", 1-3/4" & 2" 2" Max	8.88" 8.88"	11.38" 11.38"	30.00" 18.50"
CFP H2A CFP H2P	2-9/16" 10m 2-9/16" 10m	10,000 10,000	1", 1-3/4" & 2" 2" Max	10.38" 10.38"	11.75" 11.75"	30.25" 18.75"
CFP H2A CFP H2P	3-1/16" 10m 3-1/16" 10m	10,000 10,000	1", 1-3/4" & 2" 2" Max	10.38" 10.38"	11.75" 11.75"	30.25" 18.25"

2" Max orifice chokes are also available with 3" ANSI 150 - ANSI 1500 R.F. or R.T.J.



CFP H2P