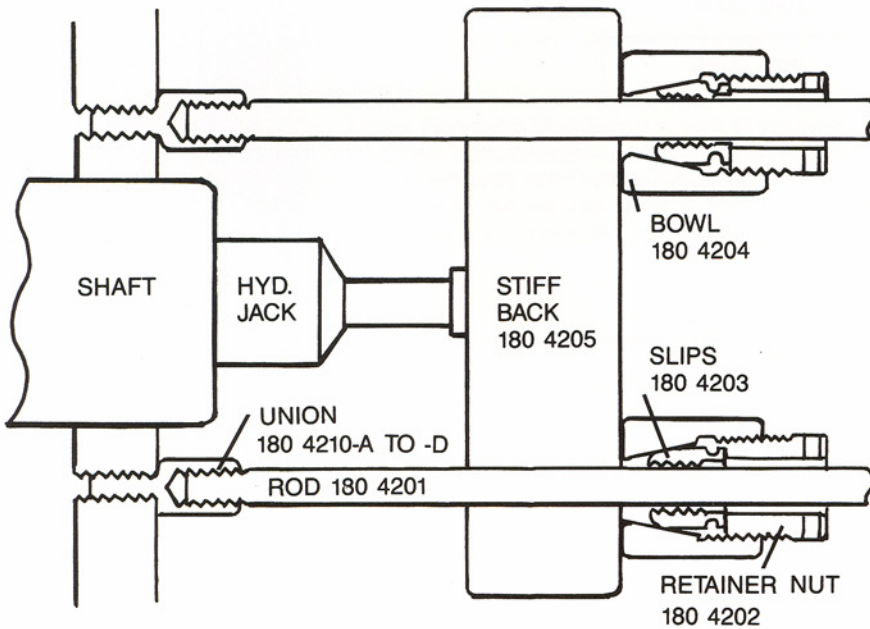
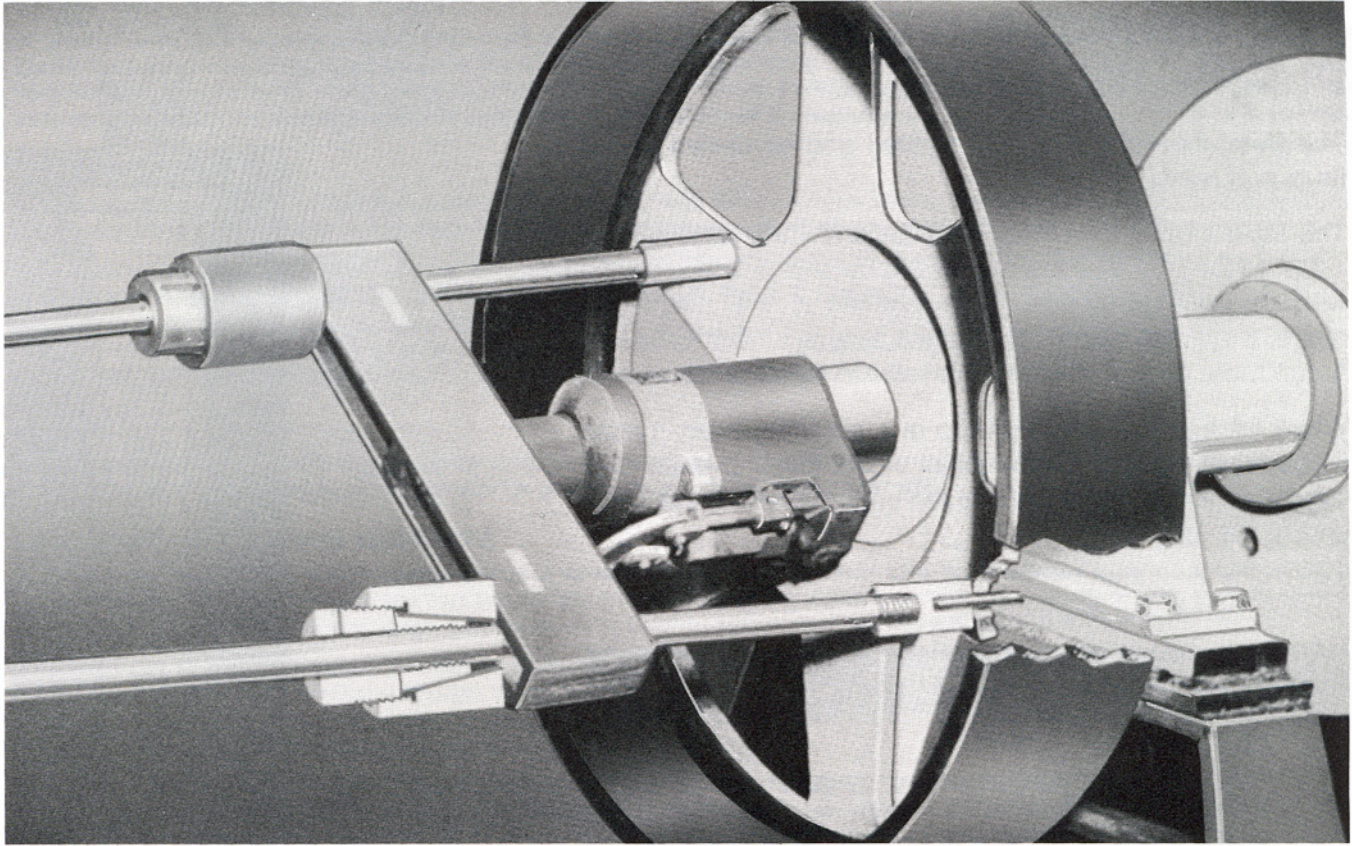


# HUB PULLER SET



## 180 4200 HUB PULLER COMPLETE:

- 180 4201 Puller Rods (Set of 2)
- 180 4202 Retainer Nuts (Set of 2)
- 180 4203 Slips (Set of 2)
- 180 4204 Bowls (Set of 2)
- 180 4205 Stiff Back (1)
- 180 4210-A 1/2" Union (Set of 2)
- 180 4210-B 5/8" Union (Set of 2)
- 180 4210-C 3/4" Union (Set of 2)
- 180 4210-D 7/8" Union (Set of 2)
- 180 4208 Wooden Box (1)