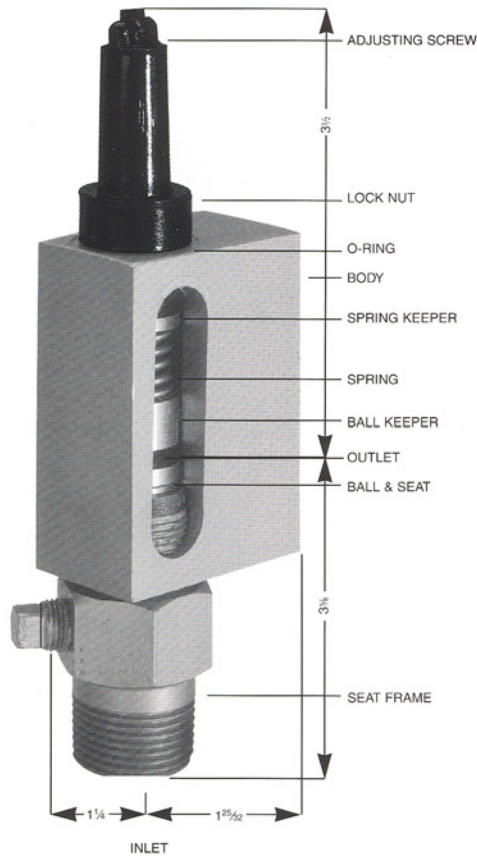


1" LIQUID RELIEF VALVE



631 6300-1

High Pressure ---- Pressure Control ---- Low Volume



A rugged, economical valve for low pressure, low volume applications. It is adjustable and repairable in the field or in the line.

BODY: 1" Carbon Steel or Aluminum-Bronze

BALL & SEAT: Stainless or Monel

SPRING: Coil

INLET: 1" Male NPT or 3/4" Male NPT

OUTLET: 1" Female NPT

USE ONLY AS DIRECTED

Do not deviate from Manufacturer's recommended pressure ranges and mode of installation.

CARBON STEEL PART NUMBER	WORKING PRESSURE RANGE	SEAT ORIFICE DIAMETER
631 6300-1-BS-LP	5-50#	11/16"
631 6300-1-BS-MP	50-200#	11/16"
631 6300-1-BS-HP	200-1500#	3/8"
631 6300-1-MBS-LP	5-50#	11/16"
631 6300-1-MBS-MP	50-200#	11/16"
631 6300-1-MBS-HP	200-1500#	3/8"

ALUMINUM-BRONZE PART NUMBER	WORKING PRESSURE RANGE	SEAT ORIFICE DIAMETER
631 6300-1-AB-LP	5-50#	11/16"
631 6300-1-AB-MP	50-200#	11/16"
631 6300-1-AB-HP	200-1500#	3/8"