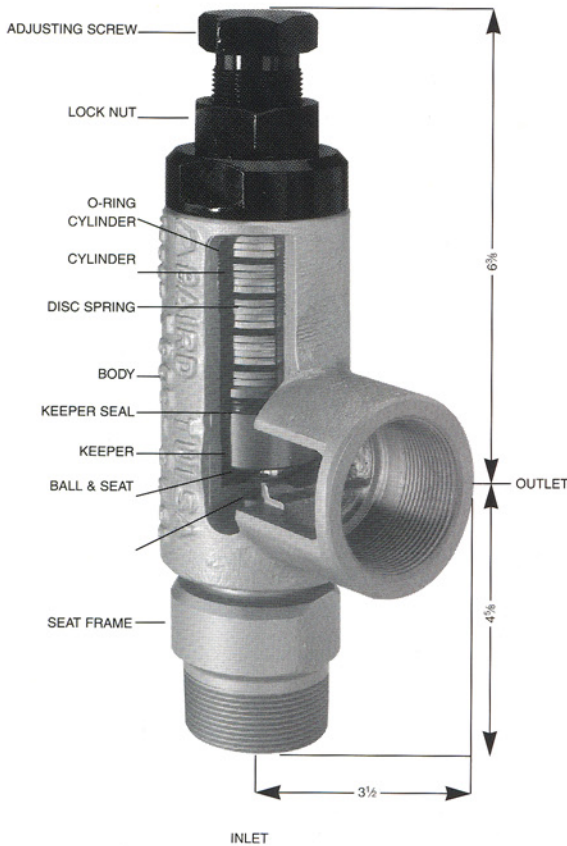


# 2" LIQUID RELIEF VALVE



782 7801-2

**High Pressure** ---- **Pressure Control** ---- **High Volume**  
 To ---- 10,000# To ---- 210 GPM



Designed for protection against over-pressure for vessels, pumps, lines, etc. It is a rugged and versatile valve capable of handling a wide range of pressures.

- BODY:** 2" Carbon Steel, 316SS or Aluminum-Bronze
- BALL & SEAT:** Sheralloy® Assembly (Cobalt Base Alloy)
- SPRING:** Disc Spring
- INLET:** 2" Male NPT
- OUTLET:** 2" Female NPT
- WEEP HOLE:** Any flow from weep hole indicates keeper seal is worn and should be replaced.

**USE ONLY AS DIRECTED**  
 Do not deviate from Manufacturer's recommended pressure ranges and mode of installation.

CARBON STEEL PART NUMBER	WORKING PRESSURE RANGE	VOLUME (GPM) AT 25% OVER SET PRESSURE	SPRING ARRANGEMENT AND QUANTITY	SEAT ORIFICE DIAMETER
782 7801-2-LLP	100-600#	15-100	Thin 1 X 1 (19)	1-1/8"
782 7801-2-LP	400-1500#	30-135	Reg 1 X 1 (15)	1-1/8"
782 7801-2-MP	500-4000#	35-210	Reg 2 X 2 (18)	1-1/8"
782 7801-2-HP	1000-8000#	Not Verified	Reg 3 X 3 (18)	1-1/8"
782 7801-2-XHP	2500-10000#	Not Verified	Reg 3 X 3 (18)	3/4"

**MATERIAL SPECIFICATIONS:**

- Standard valve is Carbon Steel valve.
- Add "316" to part number for 316 Stainless Steel valve.
- Add "AB" to part number for Aluminum-Bronze valve.

**METHOD OF INSTALLATION →**

