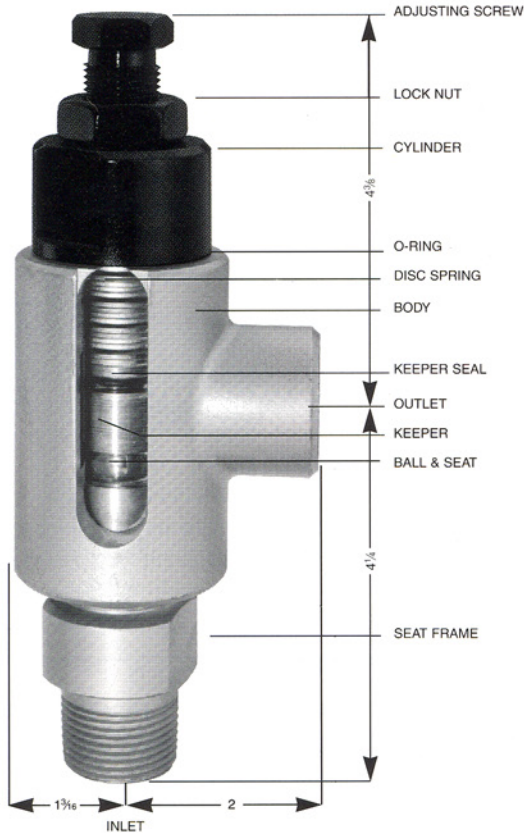




1" LIQUID RELIEF VALVE

780 7801-1

High Pressure ---- **Pressure Control** ---- **High Volume**
 To 16,000# To 115 GPM



Designed for protection against over-pressure for vessels, pumps, lines, etc. It is a rugged and versatile valve capable of handling a wide range of pressures.

BODY: 1" Carbon Steel or 316SS

BALL & SEAT: Sheralloy® Assembly (Cobalt Base Alloy)

SPRING: Disc Spring

INLET: 1" Male NPT, 3/4" Male NPT or 1/2" Female NPT

OUTLET: 1" Female NPT

WEEP HOLE: Any flow from weep hole indicates keeper seal is worn and should be replaced.

USE ONLY AS DIRECTED
 Do not deviate from Manufacturer's recommended pressure range and mode of installation.

CARBON STEEL PART NUMBER	WORKING PRESSURE RANGE	VOLUME (GPM) AT 25% OVER SET PRESSURE	SPRING ARRANGEMENT AND QUANTITY	SEAT ORIFICE DIAMETER
780 7801-1-LLP	50-600#	8-50	Thin 1 X 1 (23)	3/4"
780 7801-1-LP	300-1500#	25-100	Reg 1 X 1 (18)	3/4"
780 7801-1-MP	500-3000#	15-115	Reg 2 X 2 (22)	3/4"
780 7801-1-HP	1000-6000#	Not Verified	Reg 2 X 2 (20)	1/2"
780 7801-1-XHP	1500-10000#	Not Verified	Reg 3 X 3 (21)	1/2"
780 7801-1-SHP	2500-16000#	Not Verified	Reg 3 X 3 (21)	3/8"

MATERIAL SPECIFICATIONS:

- Standard valve is Carbon Steel valve.
- Add "316" to part number for 316 Stainless Steel valve.

METHOD OF INSTALLATION →

