

# 2" LIQUID RELIEF VALVE

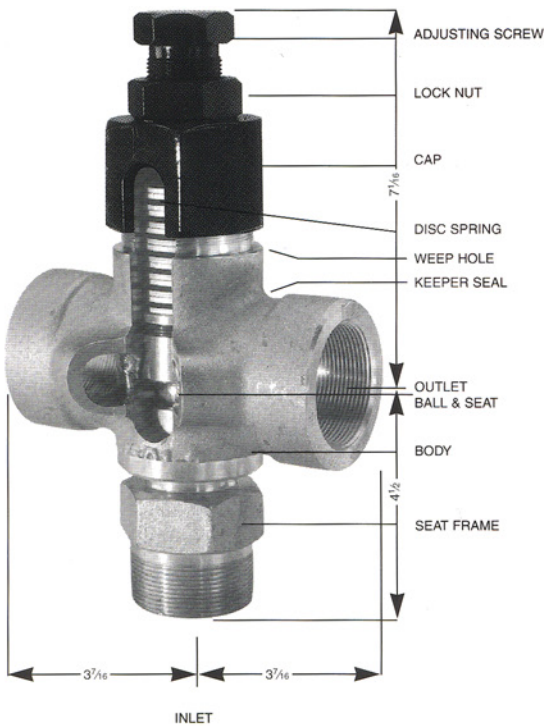


762 7601-2

**High Pressure**  
To .... 18,000#

**Pressure Control**

**High Volume**  
To .... 210 GPM



Designed for protection against over-pressure for vessels, pumps, lines, etc. It is a rugged and versatile valve capable of handling a wide range of pressures.

**BODY:** 2" Aluminum-Bronze, 316SS or Monel

**BALL & SEAT:** Sheralloy® Assembly (Cobalt Base Alloy)

**SPRING:** Disc Spring

**INLET:** 2" Male NPT, 1-1/2" Male NPT or Victaulic

**OUTLET:** Dual - 2" Female NPT or Victaulic

**WEEP HOLE:** Any flow from weep hole indicates keeper seal is worn and should be replaced.

**USE ONLY AS DIRECTED**  
Do not deviate from Manufacturer's recommended pressure range and mode of installation.

ALUMINUM-BRONZE PART NUMBER	WORKING PRESSURE RANGE	VOLUME (GPM) AT 25% OVER SET PRESSURE	SPRING ARRANGEMENT AND QUANTITY	SEAT ORIFICE DIAMETER	CAP COLOR CODE
762 7601-2-LLP	100-600#	35-100	Thin 1 X 1 (19)	1-1/8"	White
762 7601-2-LP	400-1500#	30-135	Reg 1 X 1 (15)	1-1/8"	Yellow
762 7601-2-MP	500-4000#	35-210	Reg 2 X 2 (18)	1-1/8"	Green
762 7601-2-HP	1000-8000#	Not Verified	Reg 3 X 3 (18)	1-1/8"	Red
762 7601-2-XHP	2500-10000#	Not Verified	Reg 3 X 3 (18)	3/4"	Black
762 7601-2-SHP	2500-12000#	Not Verified	Reg 3 X 3 (18)	3/4"	Brown
762 7601-2-UHP	3000-18000#	Not Verified	Reg 3 X 3 (18)	1/2"	Tan

**MATERIAL SPECIFICATIONS:**

- Standard valve is Aluminum-Bronze valve.
- Add " 316" to part number for 316 Stainless Steel valve.
- Add "MM" to part number for Monel valve.

**METHOD OF INSTALLATION →**

