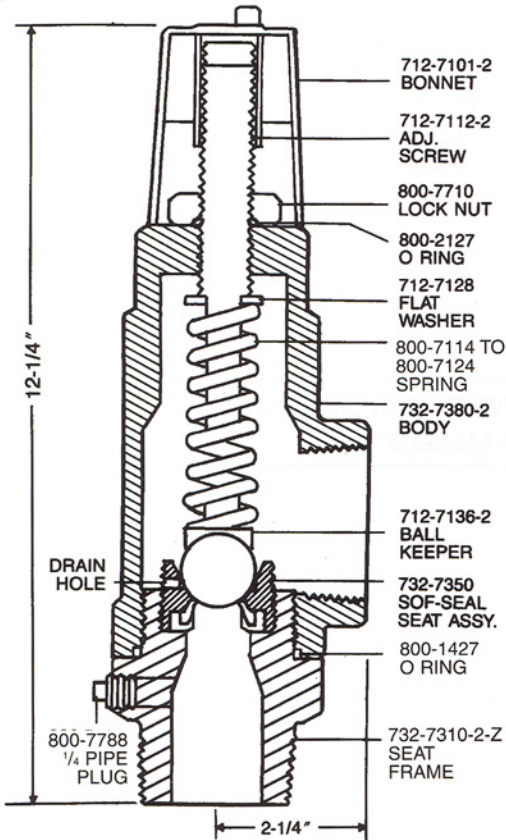


2" GAS SAFETY VALVE

732-7100-2-GS

PRESSURE: 15-1000 #
(NON-CODE BELOW 25#)

VOLUME: TO 4425 CFM



INLETS AVAILABLE: Male NPT 2", 1 1/2"

OUTLET: Female NPT 2"

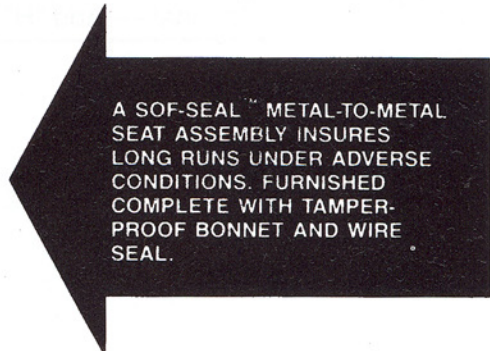
TEMPERATURE RANGE: -30° to +220° F

BODY: (SPECIFY)

DUCTILE IRON — Standard

316 STAINLESS — Add "316" to Model #

TRIM: Stainless Steel



A SOF-SEAL™ METAL-TO-METAL SEAT ASSEMBLY INSURES LONG RUNS UNDER ADVERSE CONDITIONS. FURNISHED COMPLETE WITH TAMPER-PROOF BONNET AND WIRE SEAL.

APPLICATION: Recommended for overpressure protection on separators, compressor tanks, heater-treaters, gathering lines, transmission systems, meter runs, gas manifolds, refinery service and other gas systems.

FIELD REPAIRS AND PRESSURE SETTING ADJUSTMENTS ARE EASILY MADE ON-SITE WITHOUT SPECIAL TOOLS.

ASME-UV: 3/4" ORIFICE = .442 SQ. IN., 90% SLOPE = 3.97

VALVE PART NUMBER	WORKING PRESSURE RANGE	CFM OF AIR AT MAXIMUM SETTING + 10%
732-7100-2-GS-25	15 - 25#	25# = 167 CFM
732-7100-2-GS-50	25 - 50#	50# = 276 CFM
732-7100-2-GS-75	50 - 75#	75# = 385 CFM
732-7100-2-GS-125	75 - 125#	125# = 604 CFM
732-7100-2-GS-175	125 - 175#	175# = 822 CFM
732-7100-2-GS-225	175 - 225#	225# = 1040 CFM
732-7100-2-GS-275	225 - 275#	275# = 1259 CFM
732-7100-2-GS-325	275 - 325#	325# = 1477 CFM
732-7100-2-GS-375	325 - 375#	375# = 1695 CFM
732-7100-2-GS-450	375 - 450#	450# = 2023 CFM
732-7100-2-GS-600	450 - 600#	600# = 2678 CFM
732-7100-2-GS-1000	600 - 1000#	1000# = 4425 CFM